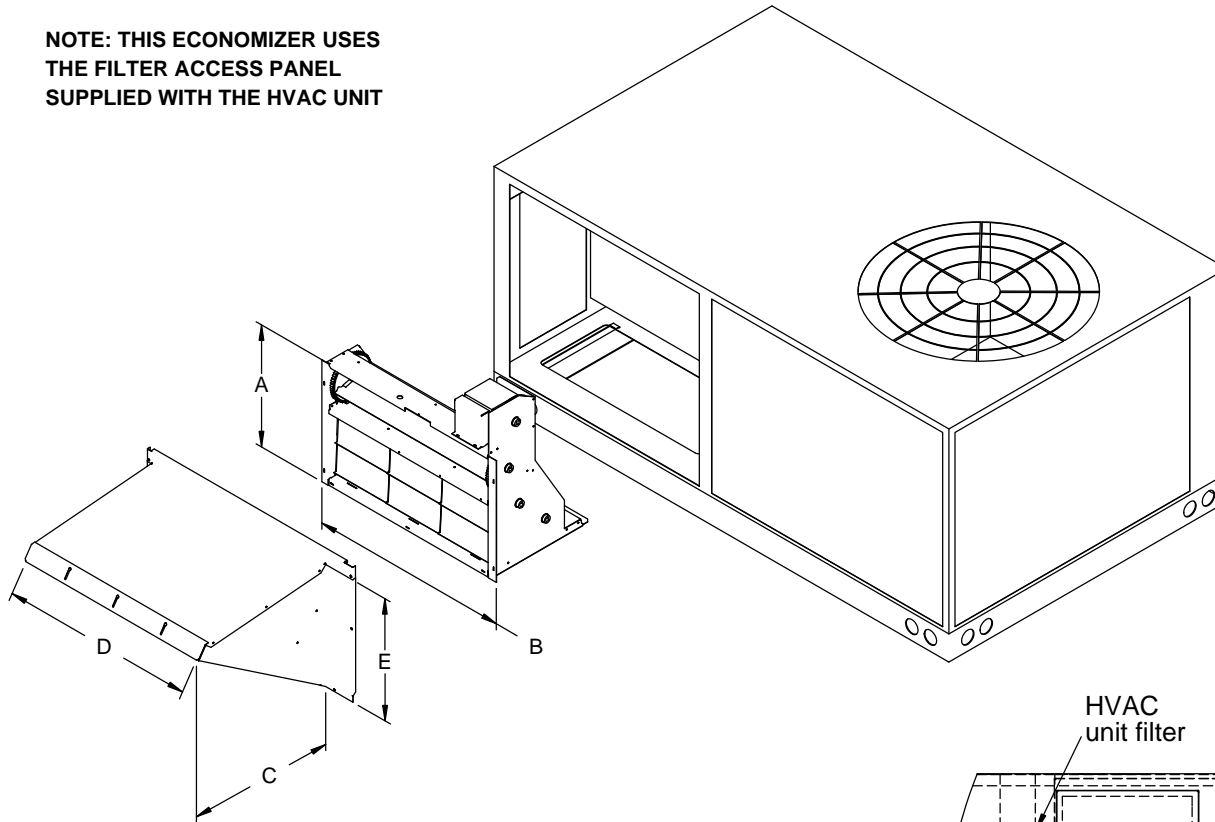


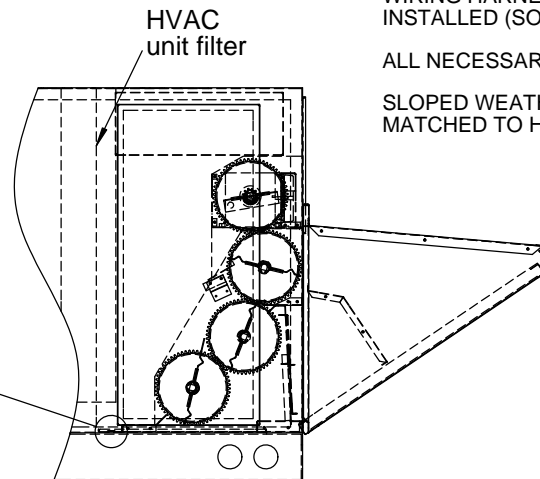
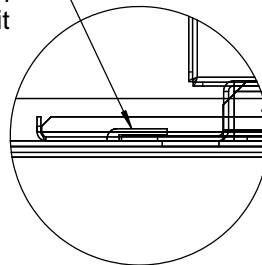
THE INFORMATION CONTAINED IN THIS DRAWING IS THE SOLE PROPERTY OF CAMBRIDGEPORT AIR SYSTEMS. ANY REPRODUCTION IN PART OR WHOLE WITHOUT THE WRITTEN PERMISSION OF CAMBRIDGEPORT IS PROHIBITED.

	CAS No.	Controller	Type	A	B	C	D	E	WGT
3A	1035265	BELIMO	Enthalpy	17-1/2"	28-1/4"	20-5/8"	28"	19"	63lb
3A	1035276	SIEMENS	Enthalpy	17-1/2"	28-1/4"	20-5/8"	28"	19"	63lb
4A	1035266	BELIMO	Enthalpy	23-1/4"	35-3/4"	16"	35"	24-1/2"	81lb
4A	1035277	SIEMENS	Enthalpy	23-1/4"	35-3/4"	16"	35"	24-1/2"	81lb
74A	1035267	BELIMO	Enthalpy	22-1/4"	46-1/4"	21"	46-1/2"	33-1/2"	97lb
74A	1035278	SIEMENS	Enthalpy	22-1/4"	46-1/4"	21"	46-1/2"	33-1/2"	97lb

**NOTE: THIS ECONOMIZER USES THE FILTER ACCESS PANEL SUPPLIED WITH THE HVAC UNIT**



Note:  
Ensure economizer engages tabs in HVAC unit



# SUBMITTAL

## CAMBRIDGEPORT ECONOMIZER

### CASECOMZR003AGE/ZIP/SLL

CARRIER UNITS  
48/50 TC 004 - 007

BRYANT UNITS  
548J, 558J, 580J 04-07  
549J, 551J, 581J 04,05,06

### CASECOMZR004AGE/ZIP/SLL

CARRIER UNITS  
48/50 TC 008 - 014

BRYANT UNITS  
558J, 580J 08, 09, 12, 14  
551J, 581J 07, 08, 09, 12  
548J 08, 09, 12 ; 549J 07, 08, 09

### CASECOMZR074AGE/ZIP/SLL

CARRIER UNITS  
48/50 HC14/TC16

Features :

BELIMO OR SIEMENS ZIP CONTROLLER

BELIMO SHAFT MOUNTED ACTUATOR WITH FEEDBACK  
ECONOMIZER IS CONSTRUCTED OF 18 GAUGE GALVANIZED STEEL AND IS SHIPPED FULLY ASSEMBLED

INCLUDES 90% BAROMETRIC RELIEF OPENING

STANDARD WITH ENTHALPY CONTROL AND BELIMO ENERGY MODULE FOR CO2 AND ACCESSORY ADD-ONS

ECONOMIZER IS GEAR DRIVEN AND VERTICAL

MOISTURE ELIMINATING FILTERS

WIRING HARNESS AND ENTHALPY SENSOR FACTORY INSTALLED (SOME FIELD WIRING MAY APPLY)

ALL NECESSARY HARDWARE AND INSTRUCTIONS INCLUDED

SLOPED WEATHERHOOD AND BLOCK-OFF PANEL COLOR MATCHED TO HVAC UNIT.

# Cambridgeport™

HVAC Accessories & Engineered Systems

8 FANARAS DRIVE  
SALISBURY, MA  
800-848-2872  
F(978) 462-9189

DESCRIPTION

**CASECOMZR003AG\_, 004AG\_,074G\_**

SIZE

DWG. NO.

A ECONOMIZER SUBMITTAL SHEET

SHEET 1 OF 1

REV B, 9-18-17

# APPROVAL

Submitted to:

Company:

Job Name:

Equipment:

Approved by:

Date: